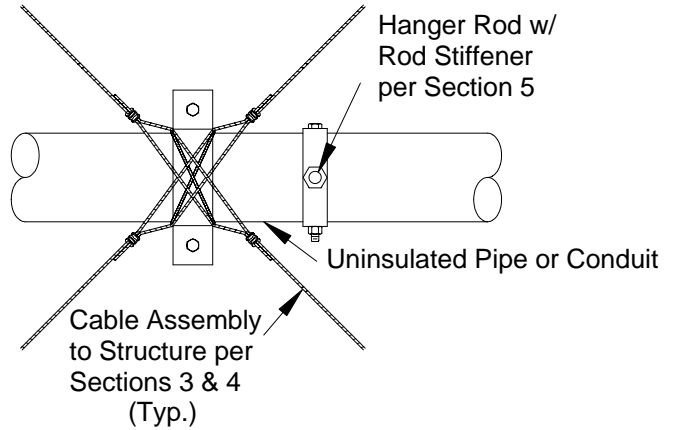


SECTION 7 DETAILS OF BRACED COMPONENTS

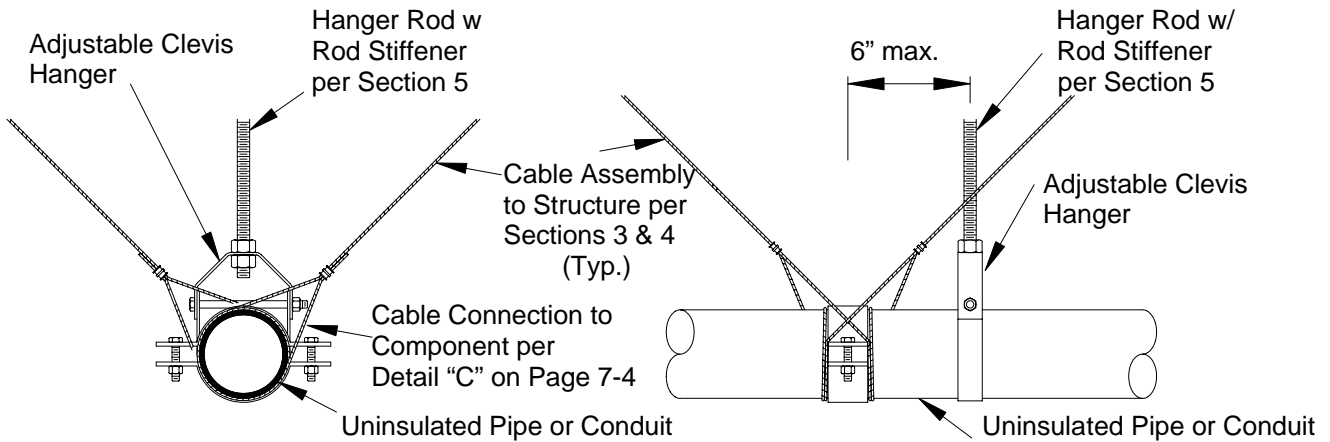
SEISMIC WIRE ROPE/CABLE™ ASSEMBLIES FOR BRACES

NOTES:

1. Install cable assemblies with a minimum angle of the cable from the vertical plane per Section 3 & 4 Selection Tables.
2. Anchorage of the cable assemblies to the structure to be per Section 3 & 4 Selection Tables.
3. Tighten cables only to remove excessive slack.
4. After tightening cables to remove excessive slack on vibration isolated components, loosen each cable 1/4" at oval sleeves before crimping.



PLAN VIEW



END VIEW

SIDE VIEW

(only the two cables in foreground shown for clarity)

4-WAY SWAY BRACE DETAIL FOR UN-INSULATED PIPE & CONDUIT

(for locations where Transverse & Longitudinal bracing coincide)


A P P R O V E D
Fixed Equipment Anchorage
Office of Statewide Health Planning and Development

OPA-0619 05/01/04

**** Valid for 3 Years Maximum ****



Anthony P. Pili
Anthony Pili 916-324-9078



LOOS & CO.

CABLEWARE® DIVISION
Seismic Wire Rope/Cable™ Bracing
www.earthquakebrace.com

901 INDUSTRIAL BLVD.
NAPLES, FL 34104
PHONE : 1-800-321-5667
FAX : 1-239-643-4558



© Loos & Co., Inc. 2004

Anwar Yusuf
Anwar Yusuf
Structural Engineer
California SE No. S-3625

Page
7-13
5/1/04