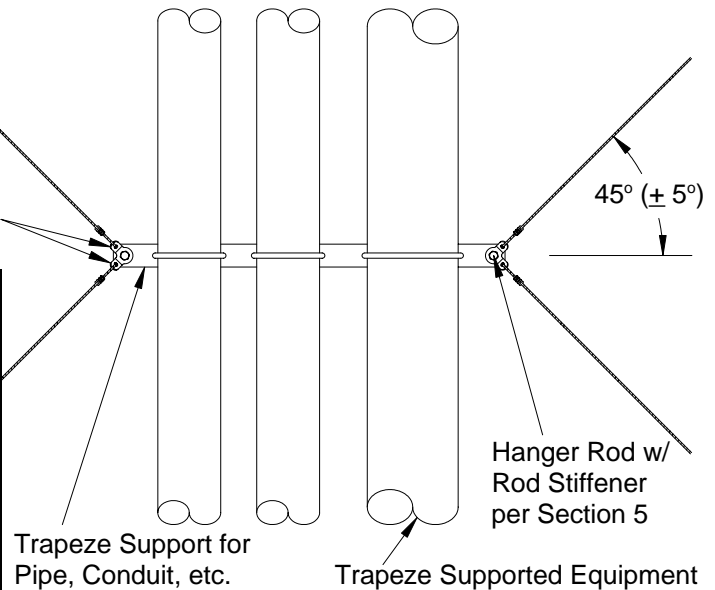


# SECTION 7 DETAILS OF BRACED COMPONENTS

## SEISMIC WIRE ROPE/CABLE™ ASSEMBLIES FOR BRACES

Cable Assembly to Structure per Sections 3 & 4 (Typ.)

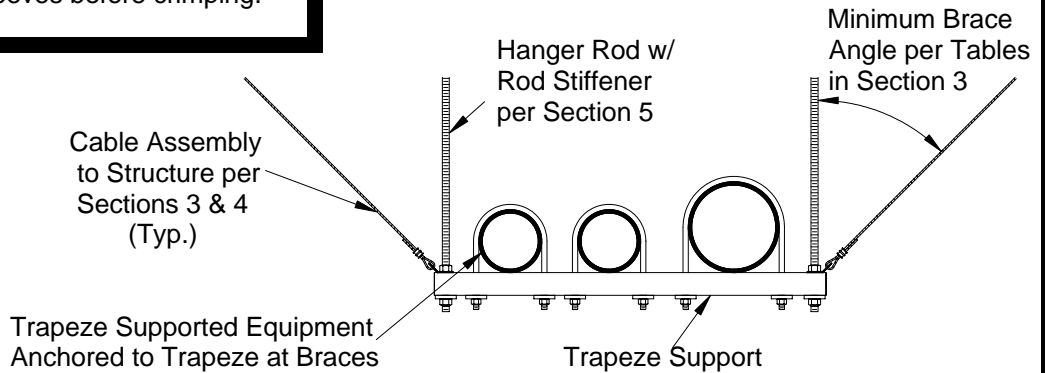
Cable Connection to Component per Detail "D" on Page 7-4



**NOTES:**

1. Install cable assemblies with a minimum angle of the cable from the vertical plane per Section 3 & 4 Selection Tables.
2. Anchorage of the cable assemblies to the structure to be per Section 3 & 4 Selection Tables.
3. Tighten cables only to remove excessive slack.
4. After tightening cables to remove excessive slack on vibration isolated components, loosen each cable 1/4" at oval sleeves before crimping.

**PLAN VIEW**



**END VIEW**

(only the two cables in foreground shown for clarity)

## 4-WAY SWAY BRACE DETAIL FOR TRAPEZE SUPPORTED EQUIPMENT

(for locations where Transverse & Longitudinal bracing coincide)

**A P P R O V E D**  
**Fixed Equipment Anchorage**  
Office of Statewide Health Planning and Development

**OPA-0619      05/01/04**

\*\*\*\* Valid for 3 Years Maximum \*\*\*\*



*Anthony P. Pile*  
Anthony Pile      916-324-9078



**LOOS & CO. U.S.A.**

CABLEWARE® DIVISION  
**Seismic Wire Rope/Cable™ Bracing**  
[www.earthquakebrace.com](http://www.earthquakebrace.com)

901 INDUSTRIAL BLVD.  
NAPLES, FL 34104  
PHONE : 1-800-321-5667  
FAX : 1-239-643-4558



© Loos & Co., Inc. 2004

*Anwar Yusuf*  
Anwar Yusuf  
Structural Engineer  
California SE No. S-3625

Page  
**7-21**  
5/1/04