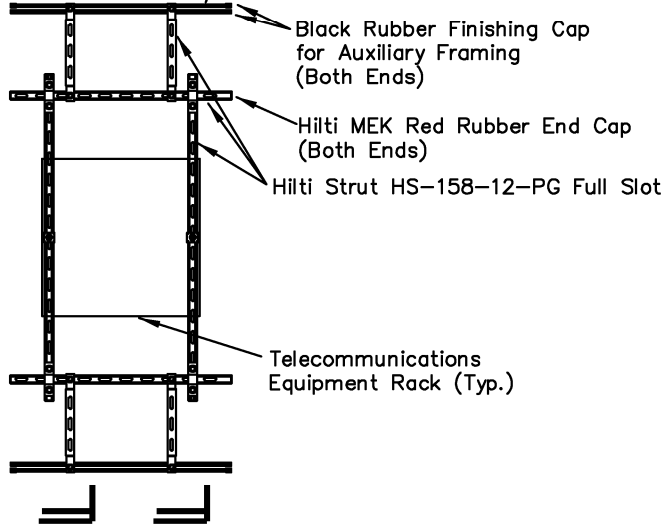
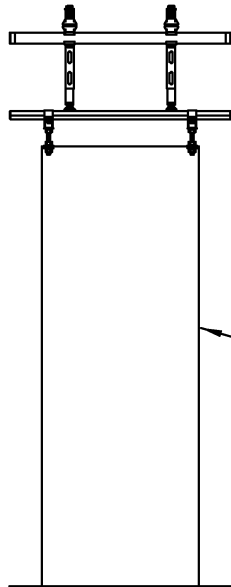


See Page QB-4

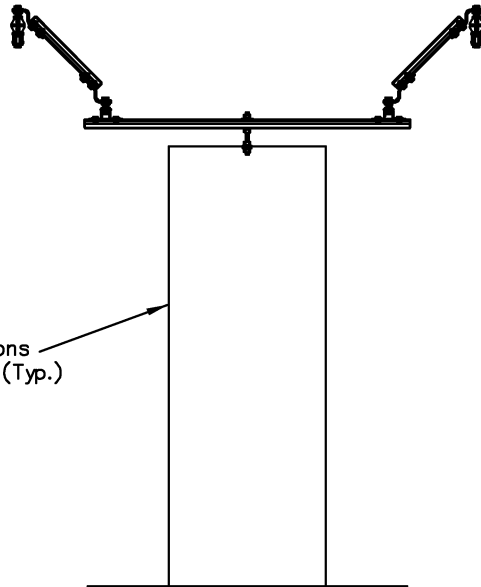
2" x 9/16" x 6' Parallel Auxiliary Framing Channels anchored to structure w/ Supporting and Bracing Parallel Auxiliary Framing Channel From Ceiling w/ 5/8"-11 x 24" Gold Chromate A.T. Rod & 2 x 2 x 3/16 x 2' TE Gray Auxiliary Framing Angle (Cut to Length)



**PLAN VIEW**



**ELEVATION**



**END VIEW**

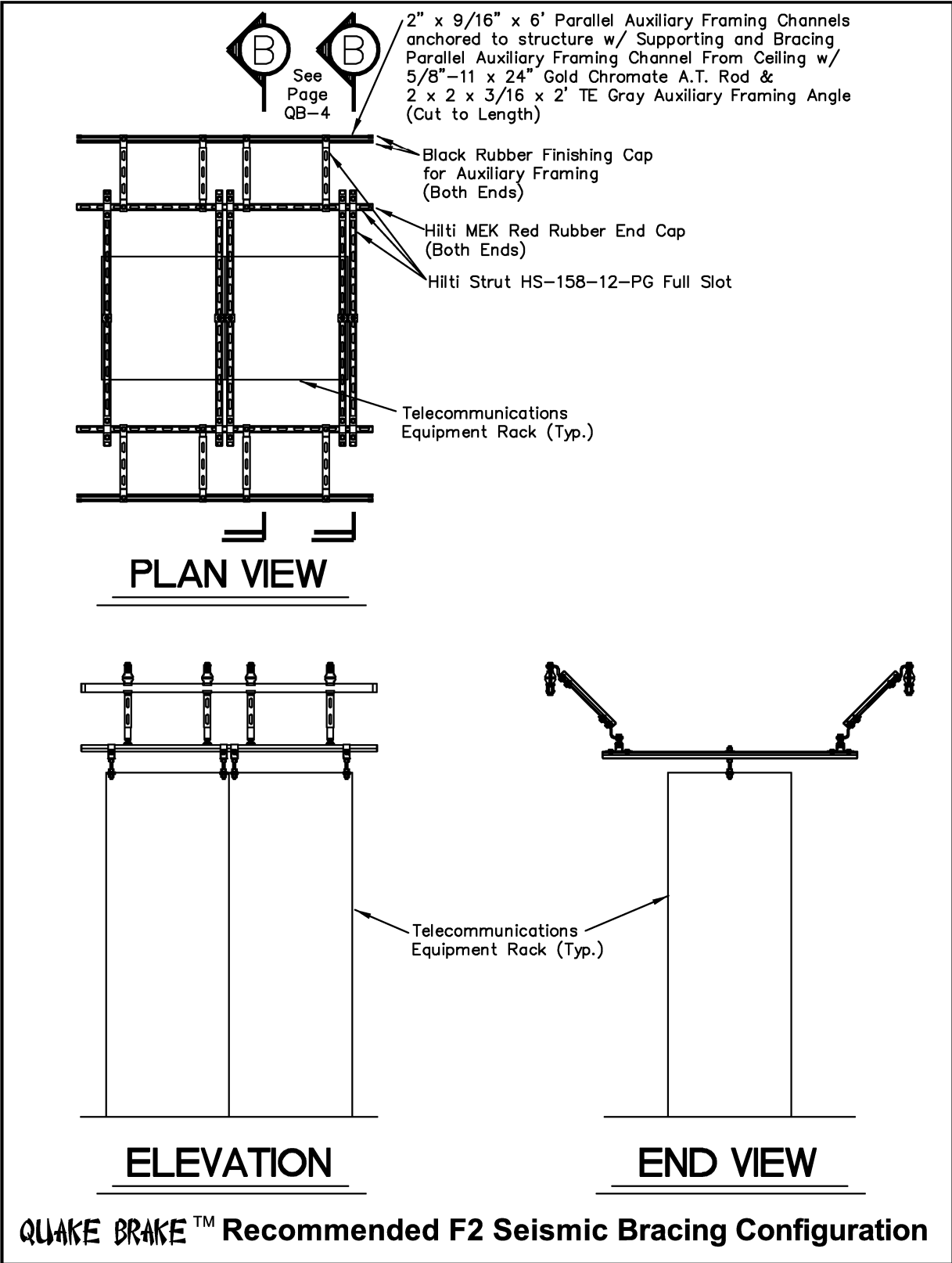
**QUAKE BRAKE™ Recommended F1 Seismic Bracing Configuration**

**QUAKE BRAKE™**

QB-1



© LOOS & CO., INC. 2002  
CABLEWARE® DIVISION  
901 IND. BLVD., NAPLES, FL 34104  
TELEPHONE : 1-800-321-5667  
FAX : (239) 643-4558

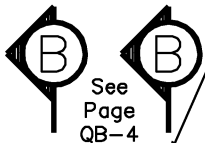


**QUAKE BRAKE™**



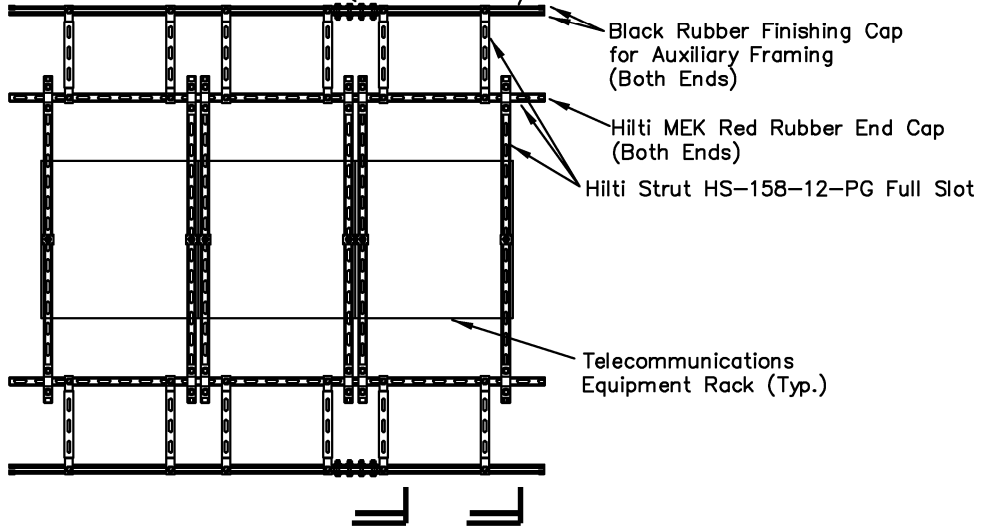
© LOOS & CO., INC. 2002  
 CABLEWARE® DIVISION  
 901 IND. BLVD., NAPLES, FL 34104  
 TELEPHONE : 1-800-321-5667  
 FAX : (239) 643-4558

Parallel Auxiliary Framing Splice for Rigid Splice Application

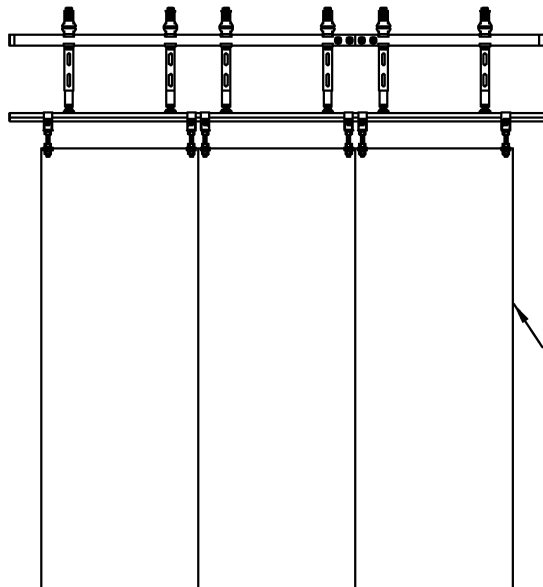


See Page QB-4

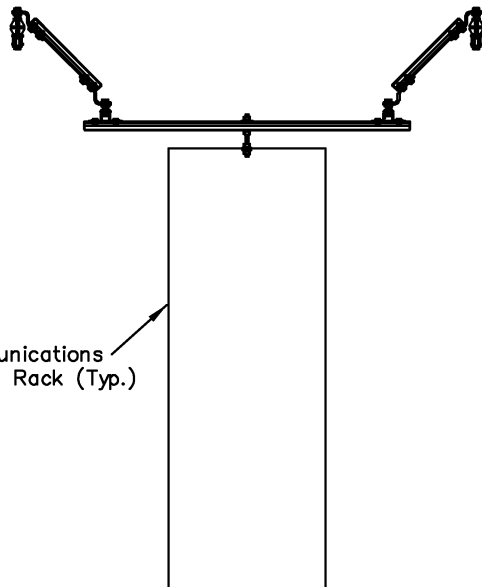
2" x 9/16" x 6' Parallel Auxiliary Framing Channels anchored to structure w/ Supporting and Bracing Parallel Auxiliary Framing Channel From Ceiling w/ 5/8"-11 x 24" Gold Chromate A.T. Rod & 2 x 2 x 3/16 x 2' TE Gray Auxiliary Framing Angle (Cut to Length)



**PLAN VIEW**



**ELEVATION**



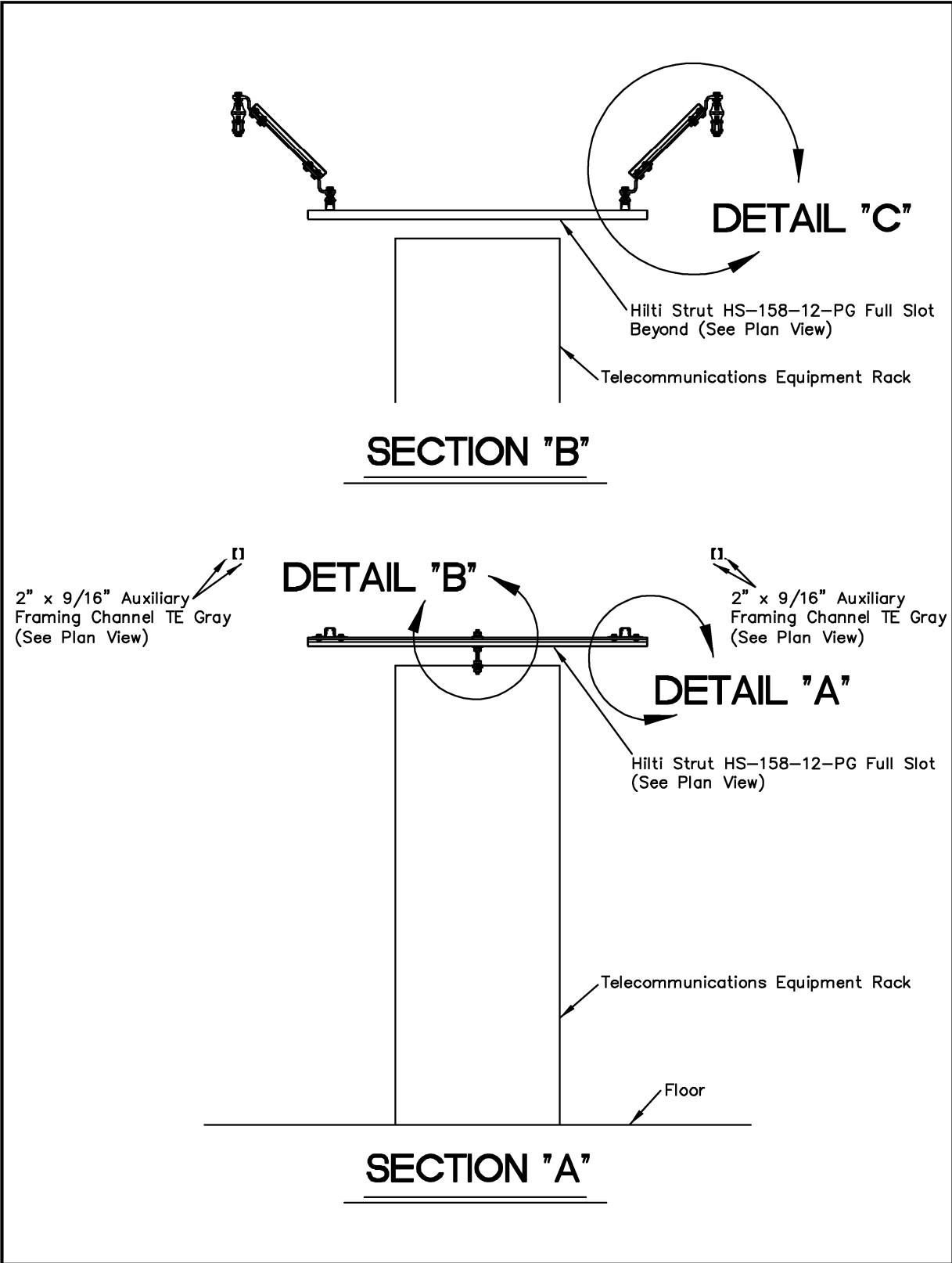
**END VIEW**

**QUAKE BRAKE™ Recommended F3 Seismic Bracing Configuration**

**QUAKE BRAKE™**



© LOOS & CO., INC. 2002  
 CABLEWARE® DIVISION  
 901 IND. BLVD., NAPLES, FL 34104  
 TELEPHONE : 1-800-321-5667  
 FAX : (239) 643-4558

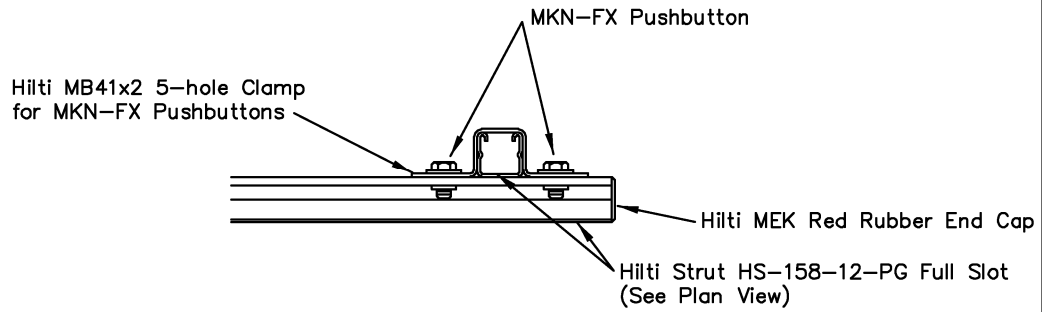


© LOOS & CO., INC. 2002

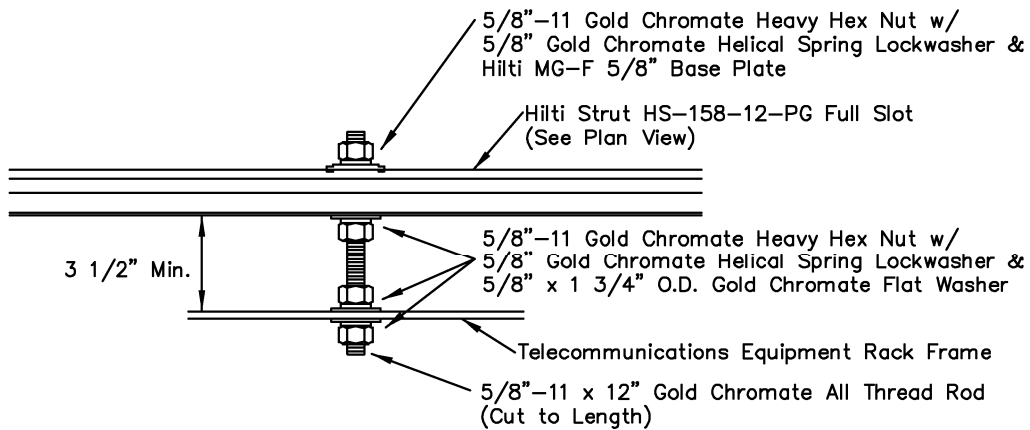
**QUAKE BRAKE™**



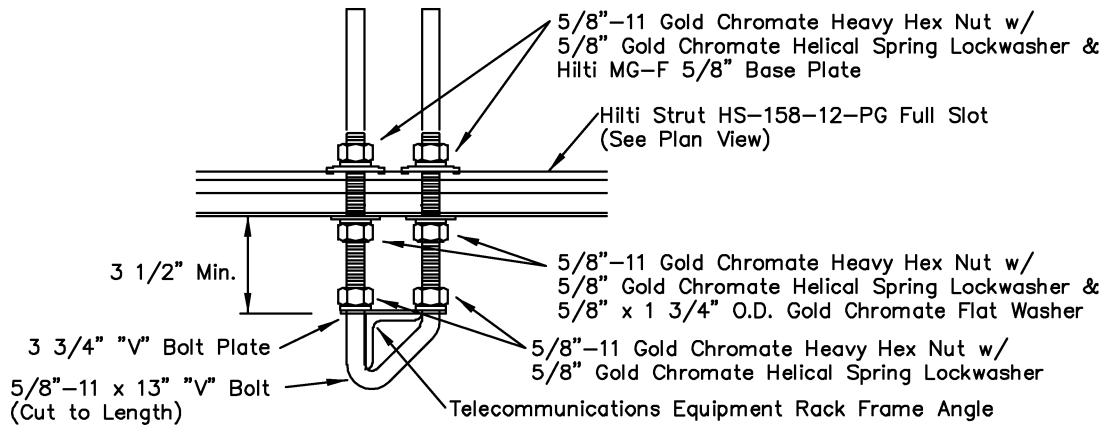
CABLEWARE® DIVISION  
 901 IND. BLVD., NAPLES, FL 34104  
 TELEPHONE : 1-800-321-5667  
 FAX : (239) 643-4558



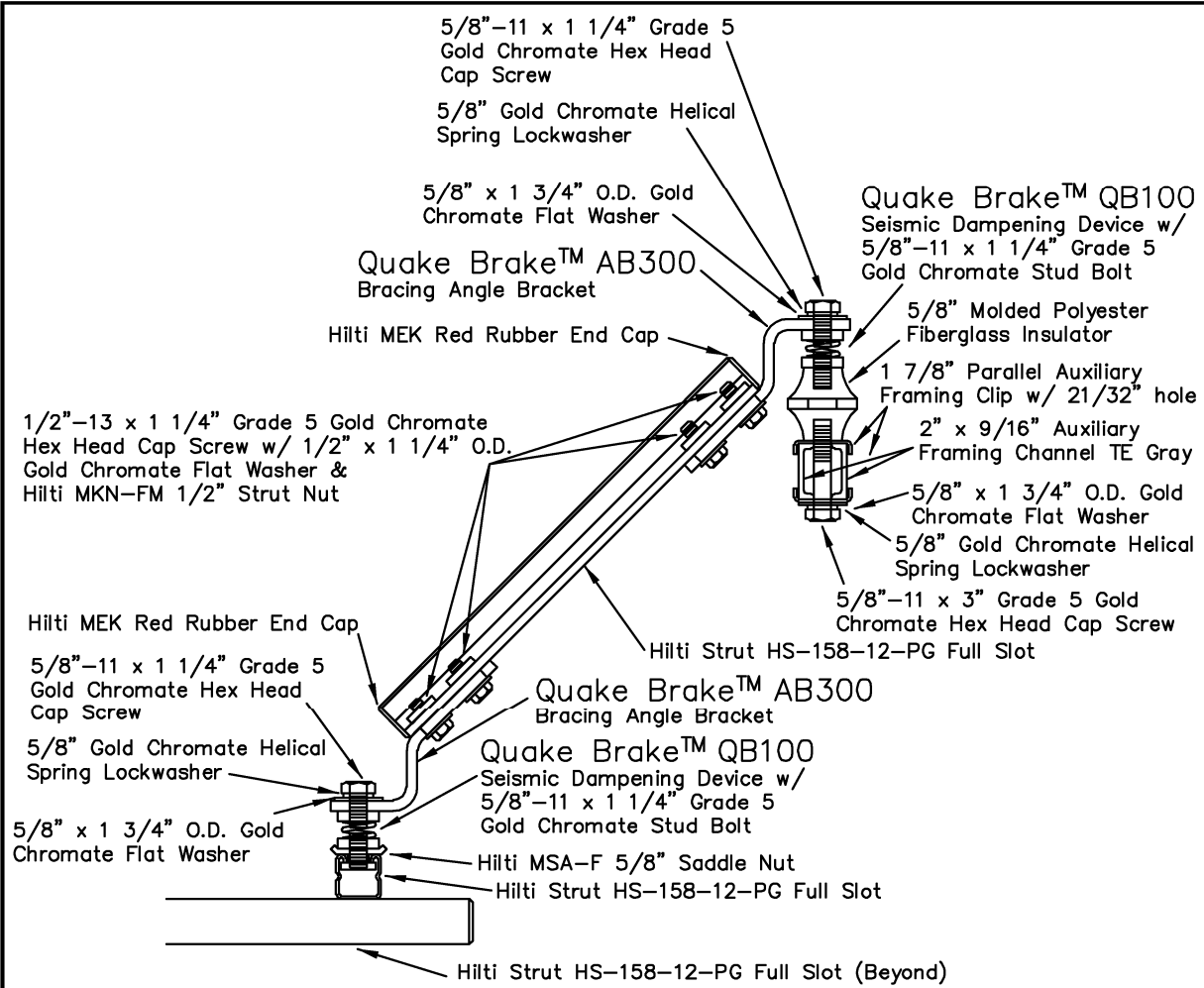
**DETAIL "A"**



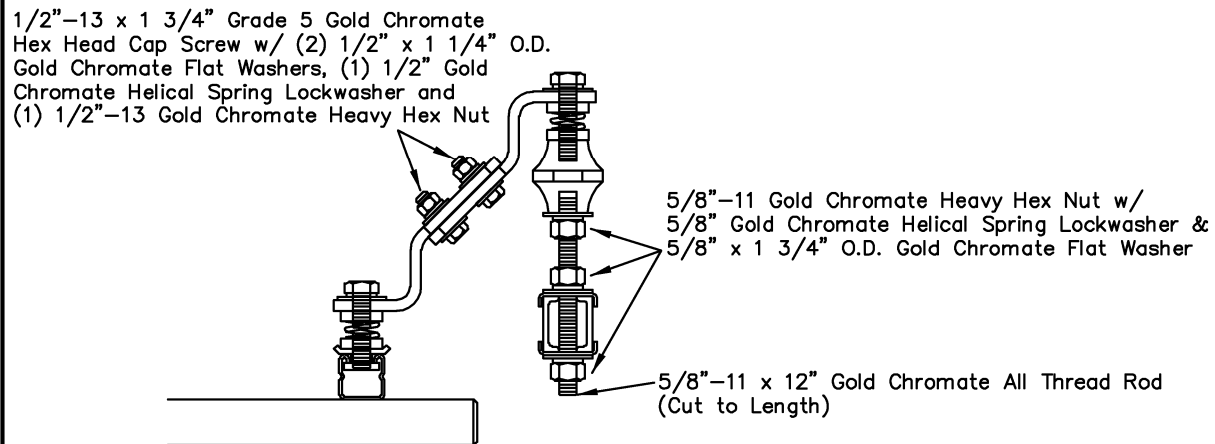
**DETAIL "B"**



**DETAIL "B" (ALTERNATE METHOD)**



**DETAIL "C"**



**DETAIL "C" (ALTERNATE METHOD)**

**QUAKE BRAKE™**

**LOOS & CO.™**  
 CABLEWARE® DIVISION  
 901 IND. BLVD., NAPLES, FL 34104  
 TELEPHONE : 1-800-321-5667  
 FAX : (239) 643-4558